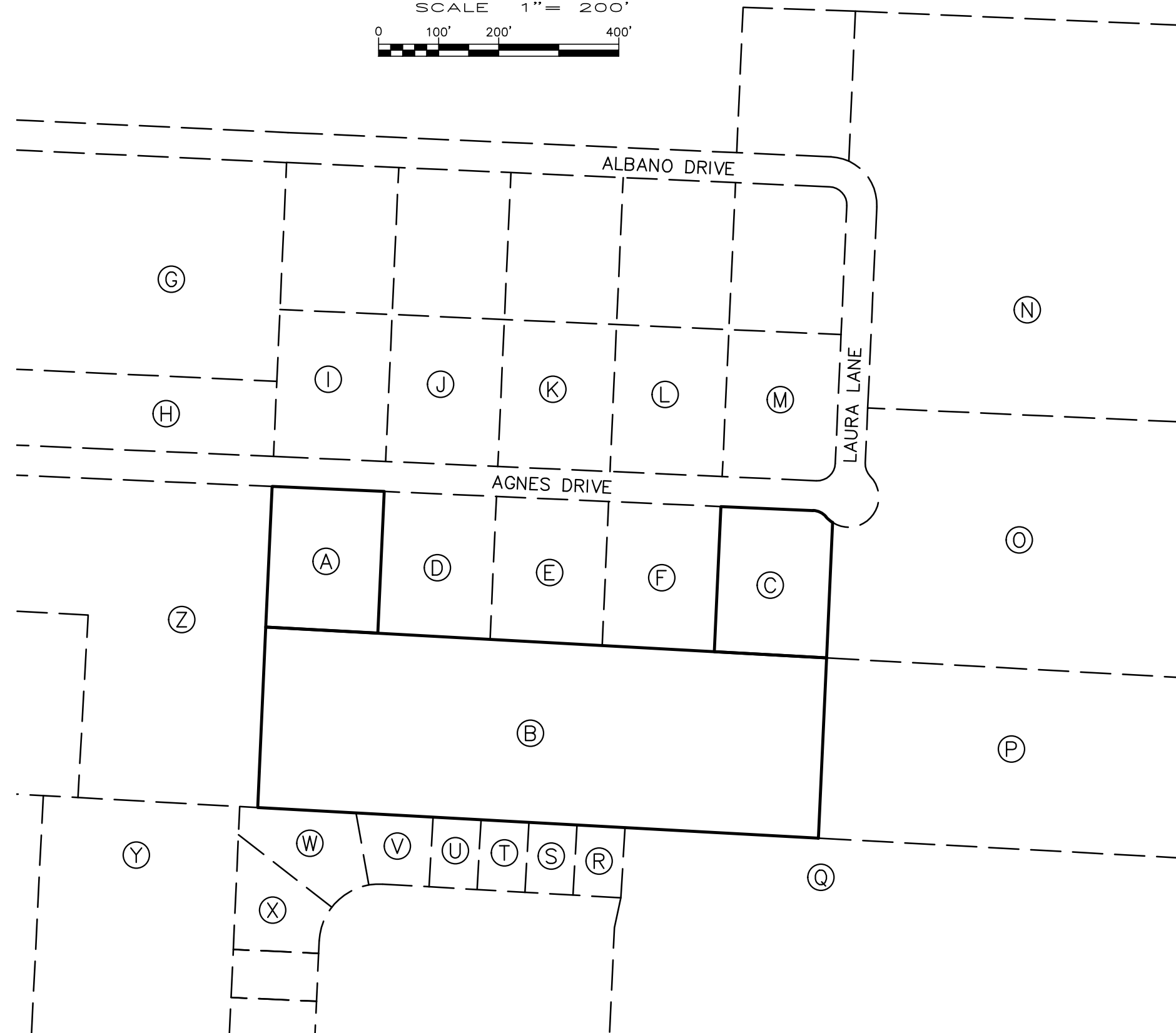
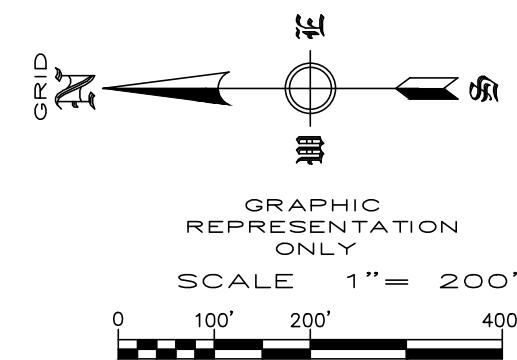


A 830-38104-000 MAESTRI ENTERPRISES LLC 301 EMERALD POINT DR SPRINGDALE, AR 72764-2582 ZONE: C-2	B 830-37611-002 MAESTRI ENTERPRISES LLC 301 EMERALD POINT DR SPRINGDALE, AR 72764-2582 ZONE: C-2	C 830-38100-000 MAESTRI ENTERPRISES LLC 301 EMERALD POINT DR SPRINGDALE, AR 72764-2582 ZONE: C-2
D 830-38103-000 MATHIAS SHOPPING CENTERS INC. PO BOX 6485 SPRINGDALE, AR 72766-6485 ZONE: I-1	E 830-38102-000 MAMRE ENTERPRISES LLC PO BOX 1330 TONITOWN, AR 72770 ZONE: I-1	F 830-38101-000 MAMRE ENTERPRISES LLC PO BOX 1330 TONITOWN, AR 72770 ZONE: I-1
G 830-37611-000 MAESTRI ENTERPRISES LLC 301 EMERALD POINT DR SPRINGDALE, AR 72764 ZONE: C-2	H 830-37613-000 MAESTRI ENTERPRISES LLC 301 EMERALD POINT DR SPRINGDALE, AR 72764 ZONE: C-2	I 830-38105-000 MATHIAS SHOPPING CENTERS INC PO BOX 6485 SPRINGDALE, AR 72766-6485 ZONE: I-1
J 830-38106-000 MATHIAS SHOPPING CENTERS INC PO BOX 6485 SPRINGDALE, AR 72766-6485 ZONE: I-1	K 830-38107-000 D & F EQUIPMENT SALES INC. PO BOX 275 CROSSVILLE, AL 35962 ZONE: I-1	L 830-38108-000 D & F EQUIPMENT SALES INC. 8641 N HWY 227 CROSSVILLE, AL 35962 ZONE: I-1
M 830-38109-000 D & F EQUIPMENT SALES INC. PO BOX 275 CROSSVILLE, AL 35962 ZONE: I-1	N 830-37611-003 LIPSPACES LLC 507 FAIRWAY CIRCLE SPRINGDALE, AR 72764 ZONE: I-1	O 830-38114-100 ROMINE, AL G PO BOX 470451 CELEDRATION, FL 34747 ZONE: I-1
P 830-37611-002 MAESTRI ENTERPRISES LLC 301 EMERALD POINT DR SPRINGDALE, AR 72764 ZONE: C-1	Q 830-37661-000 SPROUT HOLDINGS LLC PO BOX 10620 FAYETTEVILLE, AR 72703 ZONE: R-3	R 830-38709-000 WESTBROOK HOLDINGS LLC PO BOX 10620 FAYETTEVILLE, AR 72703 ZONE: R-3
S 830-38708-000 WESTBROOK HOLDINGS LLC PO BOX 10620 FAYETTEVILLE, AR 72703 ZONE: R-3	T 830-38707-000 WESTBROOK HOLDINGS LLC PO BOX 10620 FAYETTEVILLE, AR 72703 ZONE: R-3	U 830-38706-000 WESTBROOK HOLDINGS LLC PO BOX 10620 FAYETTEVILLE, AR 72703 ZONE: R-3
V 830-38705-000 WESTBROOK HOLDINGS LLC PO BOX 10620 FAYETTEVILLE, AR 72703 ZONE: R-3	W 830-38704-000 WESTBROOK PROPERTY OWNERS ASSOCIATION INC PO BOX 10620 FAYETTEVILLE, AR 72703-0045 ZONE: R-3	X 830-38703-000 WESTBROOK HOLDINGS LLC PO BOX 10620 FAYETTEVILLE, AR 72703 ZONE: R-3
Y 830-38794-000 WESTBROOK HOLDINGS LLC PO BOX 10620 FAYETTEVILLE, AR 72703 ZONE: R-3	Z 830-37613-004 HUGG AND HALL EQUIPMENT COMPANY PO BOX 194110 LITTLE ROCK, AR 72219 ZONE: C-2	



REVISION	DATE	DESCRIPTION

<b>ADJACENT OWNERS</b>		
<b>MAESTRI WAREHOUSES</b>		
<b>FAYETTEVILLE, ARKANSAS</b>		
SCALE: 1"=200'	DATE: March 18, 2015	DRAWN BY: ---
<b>ENGINEERING SERVICES, INCORPORATED</b>		
<b>SPRINGDALE, ARKANSAS</b>		
© COPYRIGHT 2015, ENGINEERING SERVICES, INC. 3/18/2015 2:38 PM Z:\150\15907 MATHIAS MAESTRI SUBD LSD\FINAL\15907 BASE FOR XREF.dwg	W.O.# 15907	SHEET <b>1</b>

